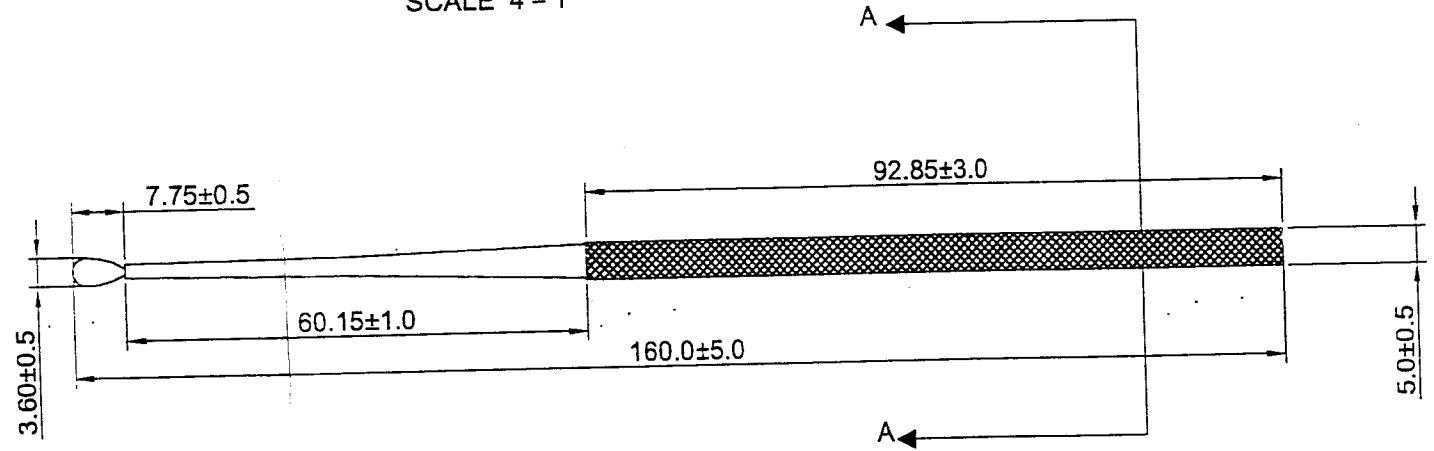
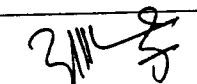



SECTION A - A  
SCALE 4 = 1



NOTE:- 1. ALL DIMENSIONS ARE IN MILLIMETERS. UNLESS OTHERWISE NOTED.	DRAWN BY : ANJUM		TITLE:- ENT BILLEAU LOOP 16cm.
	 APPROVED BY Q. A. MANAGER		
MASTER NUMBER  <b>D 52</b>	DATE: 08/06/2002		CODE#: 26790
	SCALE: 1=1	page: 1/1	OWNED BY:-   <small>ARTICOLI E APPARECCHI PER MEDICINA</small>
	REVISION #:1 *		
	REVISION #:2		
	REVISION #:3		